

Accessories

LZ71 series Expansion boards (for LY71)

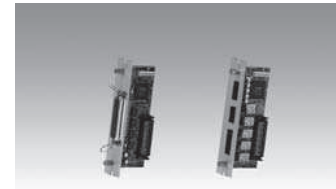
The functions of your LY71 counter unit can be expanded simply by inserting the expansion unit into the LY71.

LZ71-B

- BCD output of various data
- Various output modes
- Open collector output

LZ71-KR

- Comparator function for various data
- Switching between 16 sets of data
- Open collector output/relay output



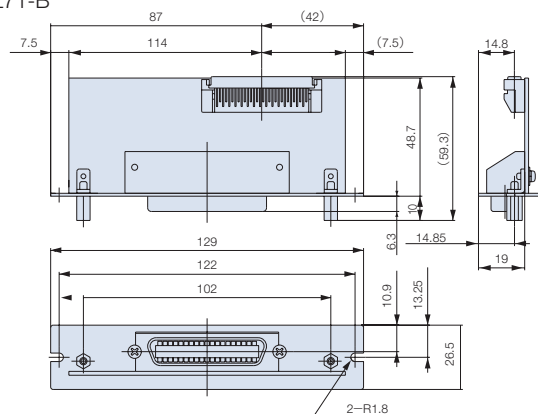
LZ71-B LZ71-KR

Specifications

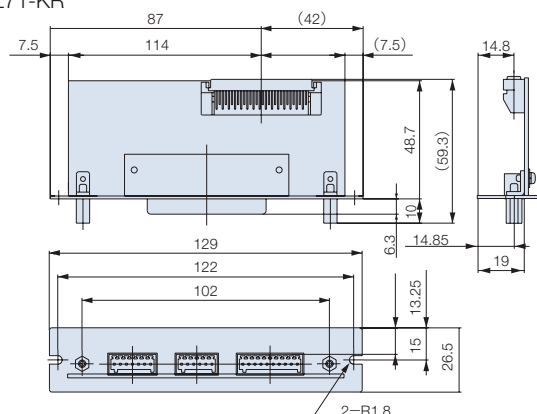
Model	LZ71-B
BCD output	7 digit parallel data (4 bits x 7 digits), sign (1 bit), READY signal (1 bit) Output logic positive and negative logic can be selected individually for the data and sign by the settings.
Electrical specifications	Photocoupler output VCE : Recommended DC +12 to 24 V IC : Max. 15 mA/terminal, TOTAL: 300 mA Output connector: 36-pin micro ribbon connector
Latch	Selectable from "BCD only latch" and "BCD & display latch" by the initial settings. Input signal : DRQ1 to 3 (Photocoupler: 12 to 24 V)
Operating temperature	0 to 40°C (32 to 104°F) (No condensation)
Storage temperature	-20 to 60°C (-4 to 140°F) (20 to 90 % RH, no condensation)

Model	LZ71-KR
Comparator function	Sets 1 to 4 comparator values for judging the data size.
Comparable data	Comparable data Current, maximum, minimum and peak-to-peak values. (Based on the settings) (1st axis, 2nd axis and addition axis)
Upper limit and lower limit combinations	Selectable from 16 data sets consisting of 1 to 4 comparator setting values.
Judgment outputs	5-point output signal Photocoupler (voltage resistance: 24 V), I _c = 15 mA 5-point output signal Relay : Panasonic Electric Works, Co., Ltd. ATQ209 24 V DC, 120 V AC, 0.3 A
External input	Photo coupler: supports 12 to 24 V
Positioning function (1 point) modes	Sets the positioning data and turns the output signal on for 0.5 s when the set value and the current value match.
Applicable data	Current value only (1st axis or addition axis)
Operating temperature	0 to 40°C (32 to 104°F) (No condensation)
Storage temperature	-20 to 60°C (-4 to 140°F)

LZ71-B



LZ71-KR



Unit : mm

Other accessories

- Cable connectors for computer connection (for U Series/ LT Series/ LY Series) DZ252 (round 8 pin ↔ D sub 9 pin) (2 m) DZ253A (round 8 pin ↔ D sub 25 pin) (2 m) DZ254 (round 8 pin ↔ unterminated end)