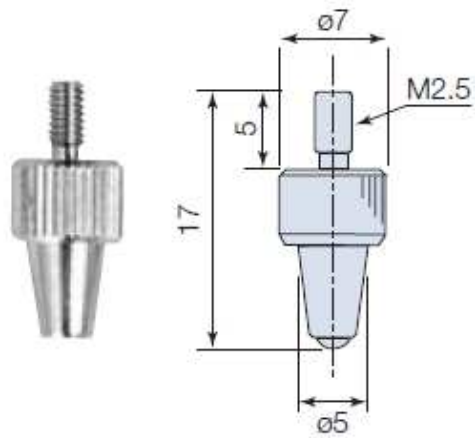
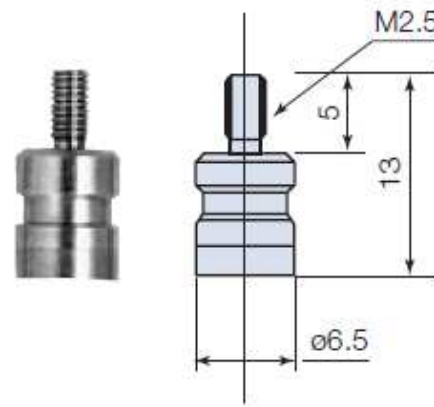


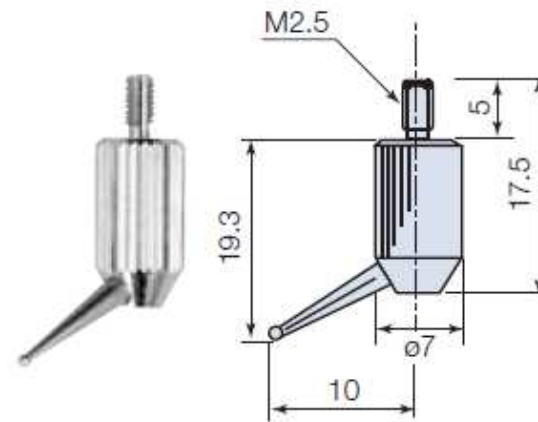
•Plastic ball contact point: \varnothing 3mm nylon ball



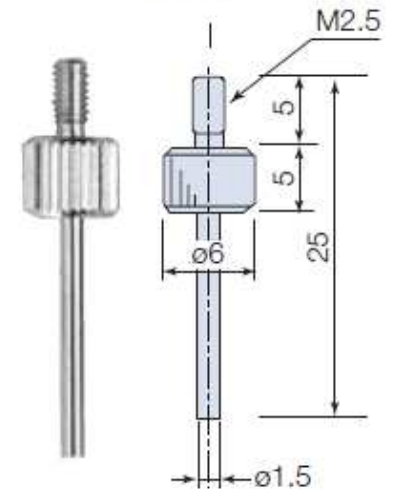
•Flat carbide contact point



•Off-center contact point: \varnothing 1mm steel ball



•Pin contact point



Unit : mm