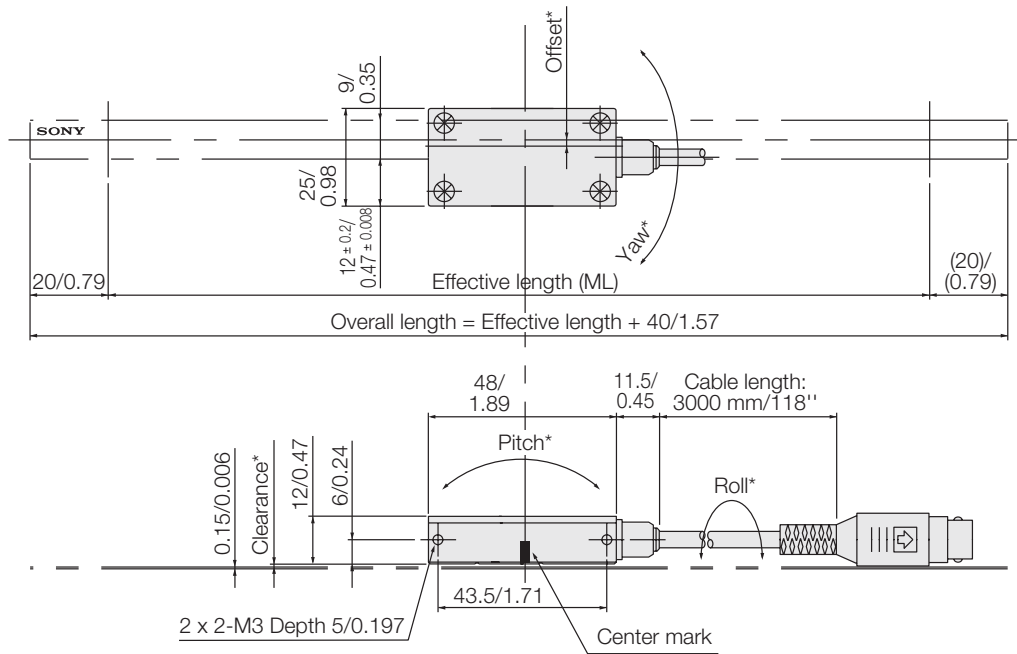
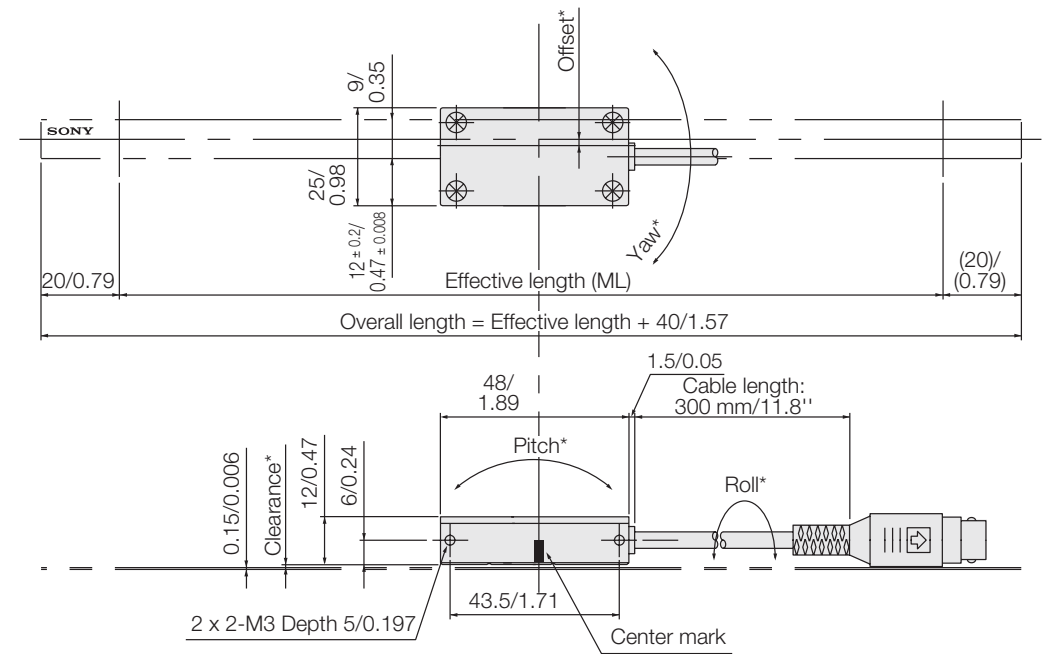


Dimensions

PL101-RH (IP67 Type)



PL101-N/PL101-R (IP50 Type)



Unit : mm/inch