

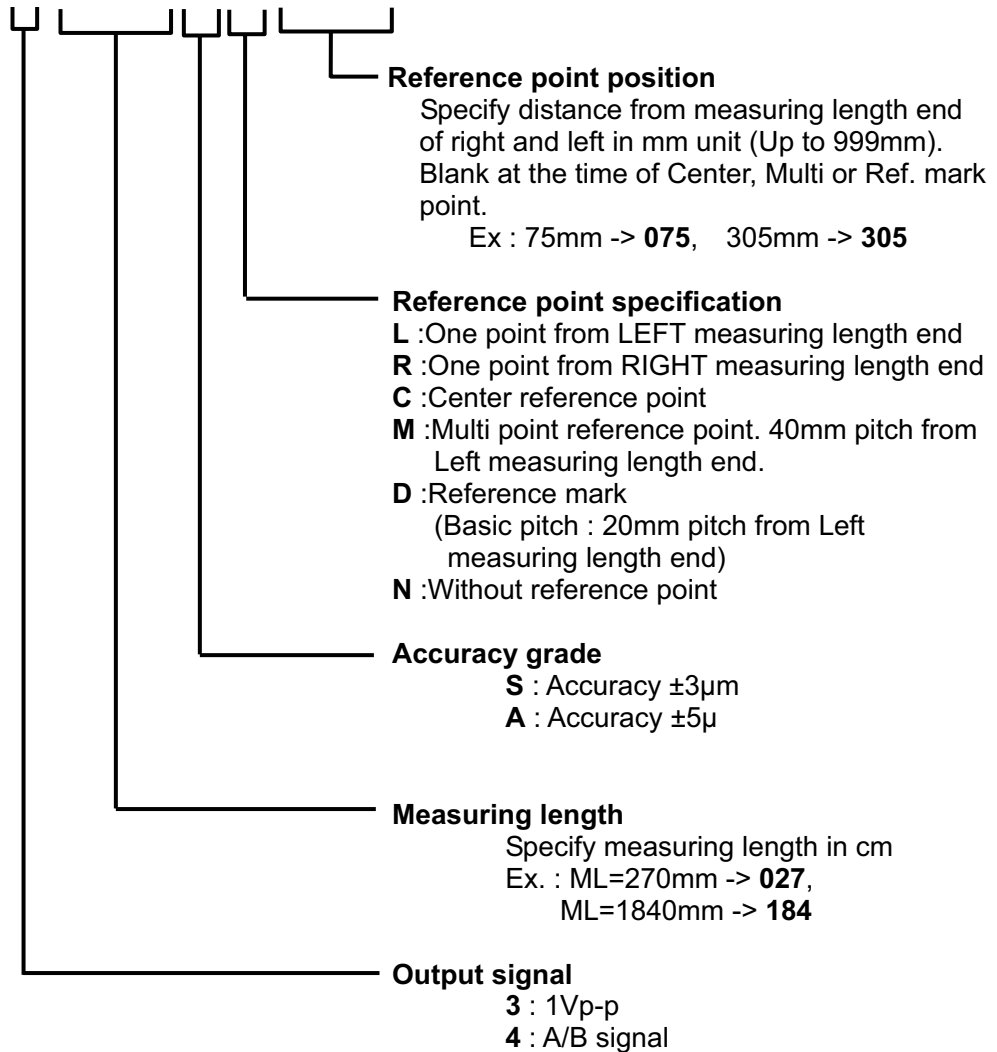
KEITOKU specification reference

Base model name : **SR33, SR34 series**

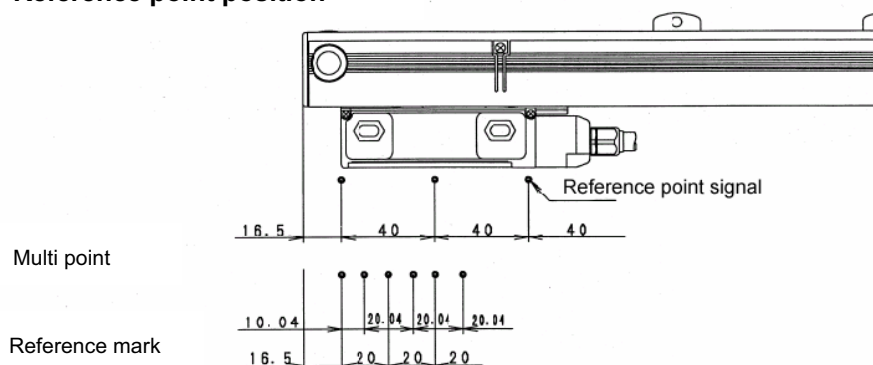
Issued : Apr. 18 '03
Revised : Nov. 24 '05

KEITOKU model name

SR3□-□□□○☆▽▽▽



Reference point position



KEITOKU specification list

Issued : Apr. 18 '03

Revised : Nov. 24 '05

Base model name : **SR33, SR34 series**

Entry items		KEITOKU range
Output signal	1Vp-p -> SR33 A/B signal -> SR34	-Select 1Vp-p or A/B signal
Measuring length	70 to 2040mm (26 type)	-Select one item from following 70mm, 120mm, 170mm, 220mm, 270mm, 320mm, 370mm, 420mm, 470mm, 520mm, 570mm, 620mm, 720mm, 770mm, 820mm, 920mm, 1020mm, 1140mm, 1240mm, 1340mm, 1440mm, 1540mm, 1640mm, 1740mm, 1840mm, 2040mm
Accuracy grade	±3μm OR ±5μm	-Select ±3μm or ±5μm Note) SR34 is available ±5μm only
Reference point	One point Center of measuring length Multi type(40mm pitch) Reference mark	-One point Specify distance from LEFT measuring length end OR from RIGHT measuring length end -Center -Multi point (reference point pitch : 40mm) -Reference mark (20mm pitch) -Without reference point

FOB price : Refer to FOB price list.